



KONICA MINOLTA

MOBILITY

LANTRONIX®
CONNECT SMART. DO MORE.™

Lantronix® xPrintServer® Office: Easy Print Technology for iOS and Android™ Devices to Your Office Printers

iPad® / iPhone® / Android™ / Chrome OS™





Streamline with Security. Business today moves fast—and you need to keep workflow moving. You need to work faster. Smarter. Better. The Lantronix xPrintServer® Office mobile print server, with the embedded Konica Minolta print driver, meets today's demands of a fast-paced and challenging print environment. This plug-and-print solution for iPad®, iPhone®, Android™ and Chrome OS™ devices enables mobile printing from the native iOS, Chrome OS and Android print menu, without using proprietary apps, to Konica Minolta printers throughout your organization while maintaining enhanced security features including account tracking, user authentication and secure print. Maximize productivity, decrease costs and streamline processes throughout your Konica Minolta bizhub® fleet. Just another way we give shape to ideas that improve your workflow and help ensure success.



Mobile Printing Made Easy

With more and more people using their own devices for work, managing and supporting all users and their devices can be challenging. The Lantronix xPrintServer Office makes printing solutions effortless by providing professional-grade features and functionality:

- Embedded Konica Minolta Print Driver
- User Authentication/Account Track Support
- Secure Print Support (select models)
- Maintains enhanced security features when using AirPrint™ and Google Cloud Print™
- Remote Authentication/Active Directory
- Configuration Save/Restore
- Proxy Server Support
- Printer User Management/Advanced User Configuration

Streamlined Efficiency

The Lantronix xPrintServer Office will transform the way your organization manages printing. It eliminates the need to use complicated apps or redundant processes like emailing items to print. And it will work with your existing printers, saving you from costly new printer purchases. Customized to include the embedded Konica Minolta print driver, users will benefit from crucial security features—Secure Print (select models), User Authentication and Account Tracking.

One-Step Installation

Simply open the box, plug in your xPrintServer anywhere on your network (LAN) via an Ethernet cable. Within seconds, the xPrintServer will auto-discover the printers on your network for iOS, Chrome OS and Android device printing. Then select the native print menu on your mobile device to start printing (for Chrome OS and Android, link xPrintServer to your Google account to begin printing).

Unlimited Productivity

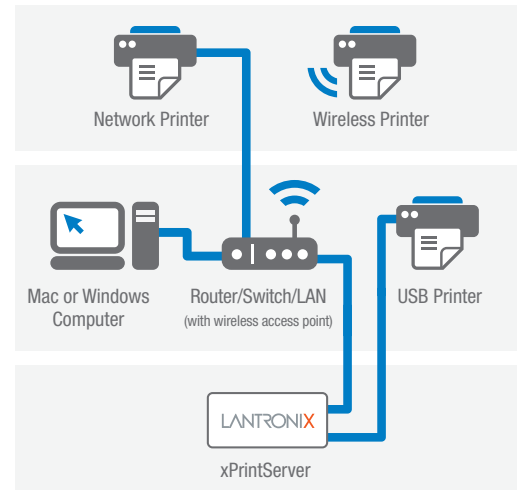
One xPrintServer unit supports multiple users and multiple printers simultaneously. With the xPrintServer from Lantronix, your mobile workforce will be printing in minutes. Productivity is maximized throughout your Konica Minolta bizhub fleet.

Technological Innovation

Whatever the size of your organization, whatever the industry, Konica Minolta has the skills, knowledge and staff to formulate ideas that break through—and the technology to deliver it. As a leader in Enterprise Content Management (ECM), technology optimization and cloud services, we help organizations like yours improve speed to market, manage technology costs and facilitate the sharing of information. Our most important capability is making your ideas fully possible. Helping you envision, achieve and shape results today and in the future.



OFFICE NETWORK



Open it. Plug it in. Print.

1. Plug in xPrintServer into your network
2. Plug your USB printer(s) into the xPrintServer (optional)
3. Within seconds, it will auto-discover your printers*
4. Start printing!



xPrintServer Office, USB port, 100–240 VAC international power supply with regional adapters, RoHS

Part Number

xPS1002FC-02-S



- Print to existing printers—no need to buy new printers
- AirPrint compatible and Google Cloud Print Ready
- No apps or software to buy or load
- Easy-to-use/automatic discovery and set up of printers
- Print from your iOS and Android phone, tablet, Chromebook and PC
- Tracking, authentication, secure print (for select printers)
- Administrative and security settings via Web interface
- USB printer(s) can be shared over your network**

LANTRONIX®
CONNECT SMART. DO MORE.™

*Each Lantronix xPrintServer supports: unlimited AirPrint-compatible and Google Cloud Print Ready devices (including laptops, Chromebooks, phones and tablets). Multiple network printers (up to 10 recommended) and up to 8 USB printers (USB hub required for more than 1 USB printer—USB hub not included).

**USB printer not required for xPrintServer to work. Google account and Internet connection required for printing.

xPrintServer Office

iPad, iPhone, Android and Chromebook Printing Made Easy

features and specifications

xPrintServer Ships with:

- (1) xPrintServer Office
- (1) RJ45 Ethernet cable (3 ft.)
- (1) Mounting bracket
- (4) Rubber feet
- (1) Universal power adapter (International)
- (1) QuickStart Guide

Supported Mobile Devices

xPrintServer Office supports:

- iPad, iPhone and iPod Touch running iOS 4.2 or later
- Chrome OS / Android 2.3.3 or greater / Fire OS

Supported Browsers

The following browsers are supported:

- Microsoft Internet Explorer
- Firefox
- Safari
- Chrome
- Mozilla Suite

Supported PC Operating Systems

- Windows 7, Windows 8
- Mac OS X

Supported Printers

- The xPrintServer supports thousands of printer models from leading manufacturers
- See full printers list at www.lantronix.com/xprintserver-supported-printers

Physical Interface

- (1) 10/100 Ethernet port—RJ45 connector
- (1) USB 2.0 port (supports connection to USB hubs)
- (1) Factory reset button

Physical Dimensions

- **Size:** 114.3 mm x 59.44 mm x 23.11 mm (4.50" x 2.34" x 0.91") (L x W x H)
- **Weight:** 0.27 kg (0.6 lb) (xPrintServer device + power supply)

Environmental

- **Operating Temp:** 0° C to +55° C (32° F to 131° F)
- **Relative Humidity:** 0% to 40%, non-condensing
- **Storage Temp:** -40° C to +70° C

Power

- Input 5 VDC, 1 A
- **Power Consumption:** < 1 Watt

Certifications

• Emissions and Immunity:

- FCC Part 15 Subpart B, Class B
- Industry Canada ICES-003 Issue 4 February 2004, Class B
- CISPR 22: 2005 + A1: 2005 + A2: 2006 Information Technology Equipment Class B
- VCCI V-3/2010.04 Class B
- AS/NZS CISPR 22: 2009 Class B
- EN 55022: 2006 + A1:2007 Class B
- EN 61000-3-2: 2006 + A1: 2009 + A2: 2009
- EN 61000-3-3: 2008
- EN 55024:1998 + A1: 2001 + A2: 2005
- EN 61000-4-2: 2009
- EN 61000-4-3: 2006 + A1: 2008
- EN 61000-4-4: 2004 + A1: 2010
- EN 61000-4-5: 2006
- EN 61000-4-6: 2009
- EN 61000-4-8: 1994 + A1: 2001
- EN 61000-4-11: 2004

- **Safety:** UL/EN 60950-1

Warranty

- 2 year limited

Lantronix xPrintServer® Office Key Features

Key Features	xPrintServer Office
Supported Mobile Devices	iOS, Android, Chrome Devices
USB Printers Supported	✓ (Up to 8 ¹)
Network Printers Supported (Including wireless printers)	✓ (Unlimited ¹)
USB Printer Sharing Over Network	✓ (for Mac and PCs)
10/100 Ethernet	✓
Printer User Management	✓
Proxy Server/Port	✓
Firmware/Driver Loading via USB Port	✓
Configuration Save/Restore	✓
Remote Authentication Active Directory	✓

¹USB Hub required—not included. ²Up to 10 recommended for optimal performance.

For complete information on Konica Minolta products and solutions, please visit: konicaminolta.ca.

© 2015 KONICA MINOLTA BUSINESS SOLUTIONS (CANADA) LTD. All rights reserved. Reproduction in whole or in part without written permission is prohibited. KONICA MINOLTA, the KONICA MINOLTA logo, bizhub and Giving Shape to Ideas are registered trademarks or trademarks of KONICA MINOLTA, INC. Lantronix and xPrintServer are registered trademarks of Lantronix, Inc. in the U.S. and certain other countries. All other product and brand names are trademarks or registered trademarks of their respective companies or organizations. All features and functions described here may not be available on some products. Design and specifications are subject to change without notice. Google is a registered trademark, and Google Cloud Print, Chrome, Chrome OS, Chromebook and Android are trademarks of Google Inc. iPhone, iPad, iPod, Mac OS and Safari are registered trademarks of Apple Inc., registered in the U.S. and other countries. AirPrint and the AirPrint logo are trademarks of Apple Inc. Windows and Internet Explorer are registered trademarks of Microsoft Corporation. Firefox is a registered trademark of Mozilla Foundation. Fire OS is a trademark of Amazon.com, Inc. or its affiliates. All other trademarks and trade names are the property of their respective holders. The Android robot is reproduced or modified from work created and shared by Google Inc. and is used according to terms described in the Creative Commons Attribution 3.0 License.

LANTRONIX®
CONNECT SMART. DO MORE.™



Partnership.

Konica Minolta can help give shape to your ideas and partner with you to achieve your corporate objectives. Contact us to realize opportunities in:

Information Management

Enterprise Content Management (ECM)

Document Management

Automated Workflow Solutions

Business Process Automation

Security and Compliance

Mobility

IT Services

Application Services

Cloud Services

IT Security

Technology

Office Multifunction Business Solutions

Commercial and Production Printers

3D Printers

Wide-Format Printers

Laptops, Desktops and

Computer Hardware

Servers and Networking Equipment

Managed Print Services (MPS)

Facilities Management



KONICA MINOLTA

KONICA MINOLTA BUSINESS SOLUTIONS (CANADA) LTD.
5875 Explorer Drive, Suite 100, Mississauga, ON L4W 0E1

www.konicaminolta.ca



Item #: LANTRONIPB
09/2015-C