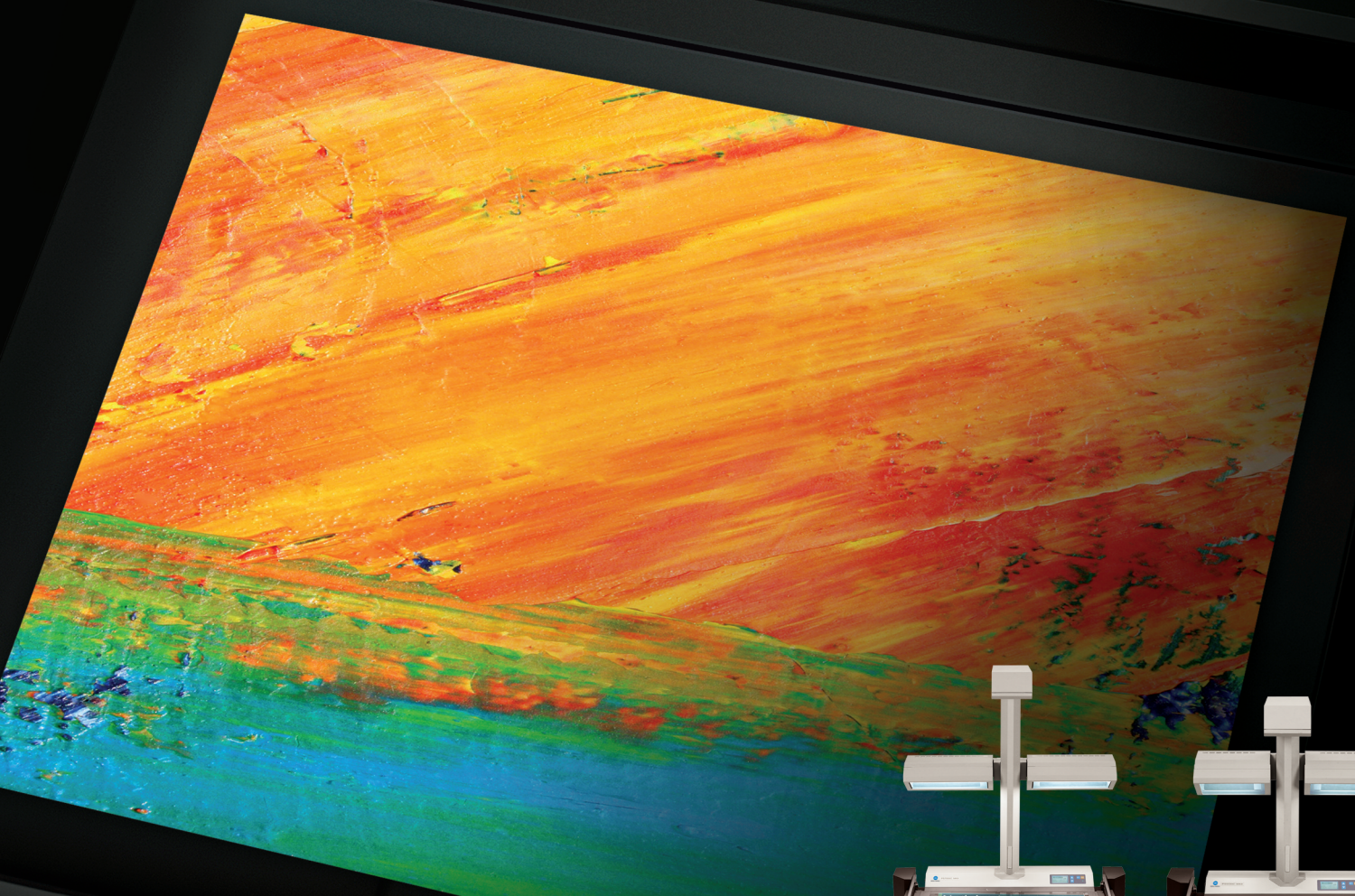


KONICA MINOLTA



Scan, save, share and print in brilliant color.



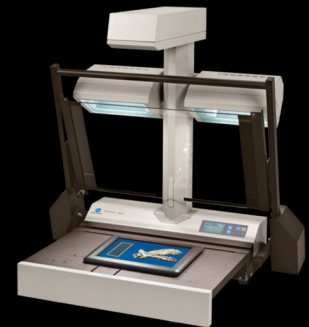
COUNT ON KONICA MINOLTA
PS7000C MKII/PS5000C MKII
Full Color Digital Book Scanners

BRINGING INFORMATION INTO THE DIGITAL ERA IS ONE OF THE THINGS KONICA MINOLTA DOES BEST – AND WITH THESE TWO HIGH-PERFORMANCE COLOR SCANNERS, YOU CAN COUNT ON GREATER SPEED, ACCURACY AND CONVENIENCE IN SCANNING AND PRINTING. THE PS7000C MKII AND PS5000C MKII ARE PERFECT FOR BOUND VOLUMES AND OVERSIZED ORIGINALS, FRAGILE ARCHIVAL MATERIALS, LEDGERS, ARTWORK, MAPS, MAGAZINES AND NEWSPAPER PAGES, SHEET MUSIC, EVEN 3-D OBJECTS. ALONG WITH GREAT FEATURES LIKE FACE-UP SCANNING, SIMPLE CONTROLS AND AUTOMATIC IMAGE CORRECTION, BOTH SCANNERS OFFER IMPROVED FINE-LINE REPRODUCTION AND EVENLY BALANCED IMAGE DENSITY TO BRING OUT THE FULL-COLOR QUALITY AND LEGIBILITY OF ALL YOUR MATERIALS. YOU CAN PRINT TO ANY NETWORKED MFP OR PRINTER – AND YOU’LL HAVE POWERFUL IMAGE DIVA SOFTWARE, BUILT-IN SUPPORT FOR ICC PROFILES, AND SEAMLESS FUNCTIONALITY IN NEW WINDOWS® 7 OR LEGACY WINDOWS ENVIRONMENTS TO MAKE EVERY APPLICATION MORE PRODUCTIVE.

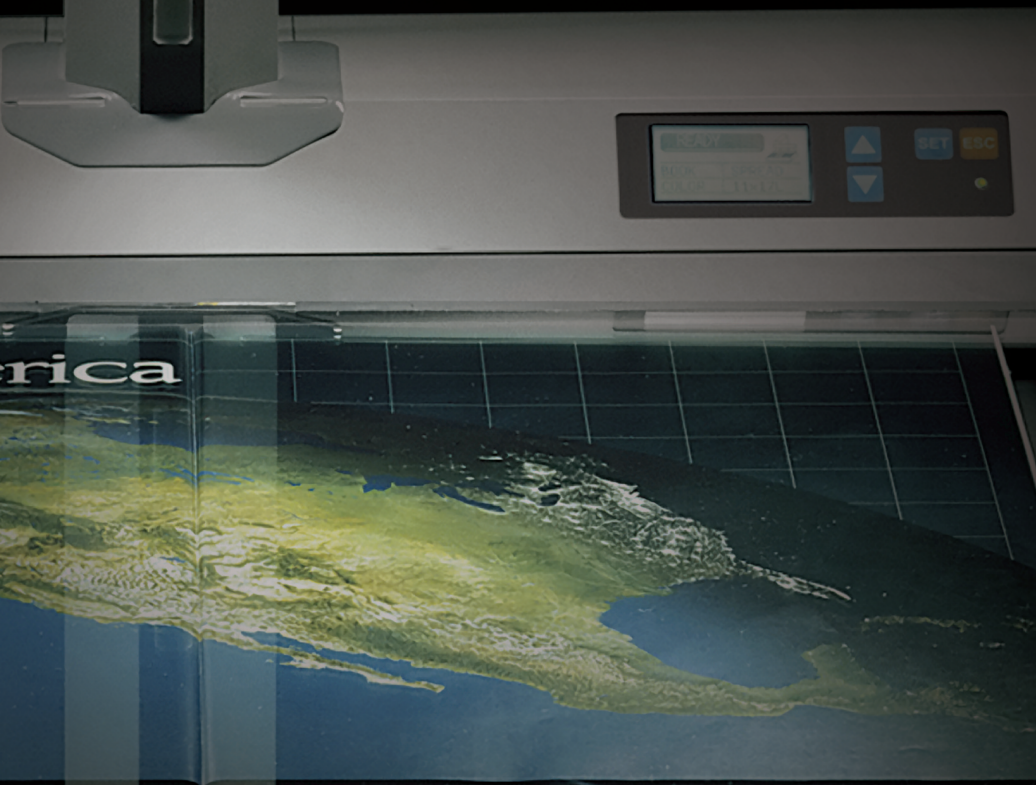
PS5000C MKII:
perfect for books and 2-page color spreads up to 11" x 17" – with face-up scanning to protect bindings and fragile originals.



PS7000C MKII:
an ideal scanning solution for large-size originals up to 18" x 24", with fast color scanning in approx. 7 seconds.



PS7000C MKII / PS5000C MKII: full color digital book scanners



The digital scanners your color originals deserve.

For years, Konica Minolta has led the way in digital print/scan technology that makes information more powerful. Now you can count on Konica Minolta face-up color book scanners to get the most from your originals – with scanning features and networking functions that increase image quality while maintaining speed, accuracy and cost-efficiency. You can also print to any MFP or printer on your network for maximum flexibility in a wide range of applications. The PS7000C MKII and PS5000C MKII will help you get the job done better – and make you more productive.

Fast, simple face-up scanning.

Unlike conventional flat-bed scanners, these two book scanners allow you to scan originals in face-up position – a real advantage that minimizes wear in scanning and digitizing bound books and ledgers. To scan multiple pages, just turn the page – no need to flip the entire volume and reposition each page.

A built-in book cradle adjusts in three positions, with left/right mobile sections that depress independently so even thick-bound books and ledgers can be scanned. And a glass plate unit (optional for PS7000C MKII) gently flattens the surface of your original for perfect scans every time.

To maximize productivity in professional and public-access applications, you can scan a large full-color page in about 7 seconds. For posters, maps, newspaper pages and large-size drawings, photos or graphics, the PS7000C MKII accepts originals up to 18" x 24". The PS5000C MKII scans page sizes from 5-1/2" x 8-1/2" to 11" x 17" – so you can handle 2-page color spreads in a single scan.

Both models also allow you to scan three-dimensional objects up to two inches high – creating sharp, highly detailed images of coins and medals, toys, jewelry, textiles, decorations, insignia, archeological artifacts and other small art objects and collectibles.

Full support for any Windows environment.

You can scan originals and easily make hard-copy color prints at a MFP or printer on your network – there's no need to connect your scanner directly to a printer. High-speed USB 2.0 interface enables the PS7000C MKII and PS5000C MKII to fit comfortably into your Windows workflow, including new Windows 7* (32-bit) applications as well as legacy Windows Vista, Windows 2000 and Windows XP environments.

With support for ICC profiles, your book scanners can perform seamlessly in applications that use ICC-compatible software – so designers and graphics professionals will be able to match color profiles and reproduce color tones and shades with exacting precision.



Powerful scanning for versatile applications.

The Internet era has opened an exciting new range of applications for scanned, digitized information. From scholars and experts to students and the general public, everyone benefits from greater accessibility to reference materials – and as information becomes more widely available, the demand will increase for high-quality color scanning and printing.

You can also connect your scanner to an optional 3rd-party coin and card vending solution for simple, reliable cost recovery in public-access applications. Features like these make the Konica Minolta PS7000C MKII and PS5000C MKII ideal for use in any information environment.



Superior quality, accuracy and detail.

In addition to high-quality 24-bit color, 8-bit grayscale, 1-bit B&W image processing and up to 600 dpi resolution, both scanners incorporate new Konica Minolta imaging technology that improves fine-line reproduction – so faded or highly detailed originals can be captured with greater accuracy and legibility.

With versatile mode selection and superior balance in image density, you'll also be able to scan and reproduce color photos, drawings, scientific illustrations and fine-art visuals with lifelike quality that brings out the best in your artwork. To save time during scanning sessions, both book scanners automatically correct for book curvature, mask and delete the images of fingers or frames, erase shadows at centerline of 2-page spreads, and center scanned images on the page.



Simple operation with Image DIVA software.

Powerful Image DIVA software provides a simple, intuitive interface that makes both scanning and printing quick and effortless. For total flexibility in a wide range of scanning applications, you can choose left-page, 2-page spread or right-page scanning, adjust scan size, select portrait or landscape orientation, and set Scan Mode according to the needs of your original: Color, B&W Photo, or B&W Text.

You can also display your image on screen, zoom in on scan areas for a closer look, and adjust exposure through 9 steps to achieve the results you want – then preview your image before printing to save time and minimize the need for reprints, and select print output to a networked printer. And when print data is sent to the print spooler, the image is automatically cleared from your screen.

Government bureaus: digitize reference information and create hard-copy prints quickly and easily in public-service locations.

Libraries: scan and digitize newspapers, oversized artwork and originals, fragile bound volumes, special collections, maps, prints, scientific records.

Medical: digitize and share patient records, photos, research results, and administrative data to comply with healthcare regulations and insurance requirements.

Deeds and documents: make copies of property titles, site maps, easements, roads, wetlands, zoning regulations and more.

County records: scan, save and print copies of oversized 12" x 18" ledgers, tax and census records, handwritten registers and documents.

Corporations: digitize corporate archives, product photos, engineering drawings, business and sales records, advertising and promotional material.

Legal documentation: scan and manage legal files electronically to save time and satisfy court record-keeping and access requirements.

Museums and performing arts: scan and print artwork, catalogs, periodicals, rare manuscripts, sheet music, playbills, posters, scripts and more.

*64-bit Windows 7 support available Spring 2010



PS7000C MKII



PS5000C MKII

General Specifications:

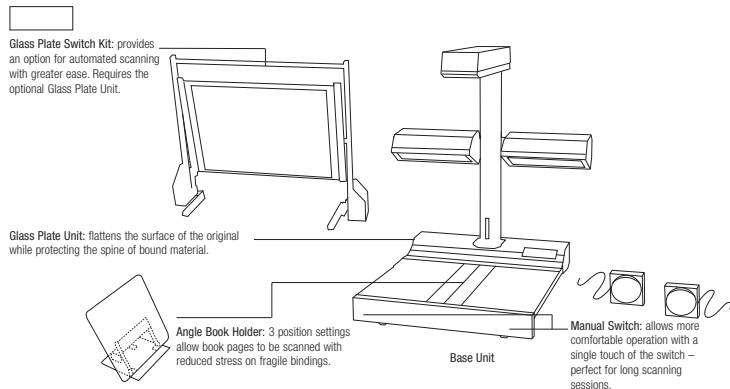
TYPE:	Desktop color book scanner for face-up originals	
SCANNING SYSTEM:	Rotary lens scanning system	
DOCUMENT TYPE:	Book, Sheet, 3-D object	
DOCUMENT SIZE:	Maximum effective area: 18 inches x 24 inches L * Landscape: L, Portrait: P	
BOOK MODE/SHEET MODE: SPREAD:	18"×24" L, 17"×22" L, 14"×22" L, 12"×18" L/P, 14"×17" L/P, 11"×17" L/P, 11"×14" L/P, 8.5"×14" L/P, 8.5"×11" L/P, 5.5"×8.5" L/P	Maximum effective area: 11 inches x 17 inches L * Landscape: L, Portrait: P
SINGLE:	12"×18" P, 11"×17" P, 11"×14" P, 8.5"×14" P, 8.5"×11" P, 7"×8.5" P,	11"×17" L, 11"×14" L, 8.5"×14" L, 8.5"×11" P, 7"×11" P, 7"×8.5" P, 5.5"×8.5" P
SPLIT:	5.5"×8.5" P 12"×18" P×2, 11"×17" P×2, 11"×14" P×2, 8.5"×14" P×2, 8.5"×11" P×2, 7"×11" P×2, 7"×8.5" P×2, 5.5"×8.5" P×2	8.5"×11" P×2, 7"×11" P×2, 7"×8.5" P×2, 5.5"×8.5" P×2
3-D MODE:	Size setting is available at preview screen	
DOCUMENT THICKNESS:	2 inches or less	
RESOLUTIONS:	200 / 240 / 300 / 360 / 400 / 600 dpi	
IMAGE SENSOR:	Area type CCD sensor (10.5 Mega pixels)	
LIGHT SOURCE:	Fluorescent lamp 28" W x 2	
SCAN MODE:	24-bit Color, 8-bit Grayscale, 1-bit Black and White	
SCAN SPEED:	7 seconds or less (Mode: Sheet, 17"×22" L, Color, 300 dpi)	7 seconds or less (Mode: Sheet, 11"×17" L, Color, 400 dpi)
AUTO BOOK CORRECTION FUNCTION:	Curved text line correction, Text compression correction	
EDITING FUNCTION:	Center erase, Frame masking, Finger masking, Centering	
OPERATIONAL PANEL:	Original type, original page, original size, original mode, frame masking on /off and center erase on/off are changeable	
INTERFACE:	USB 2.0 High Speed (USB Cable: less than 6 feet)	
DEVICE DRIVER:	TWAIN 32 compliant	
OS COMPATIBILITY:*	32-bit Operating System	
RECOMMENDED PC SYSTEM:	Windows 2000, Windows XP, Windows Vista, Windows 7* (32-bit)	
	CPU: INTEL Core2 Duo 2.33GHz or faster	
	MEM: 2 GB or more	
	VIDEO: 256 MB Memory or more	
DIMENSIONS:	35.7" (W) x 32.4" (D) x 42.3" (H)	26.5" (W) x 24.1" (D) x 32.6" (H)
WEIGHT:	Approx. 119 lbs.	
POWER SOURCE:	120V 60Hz	
POWER CONSUMPTION:	Less than 120W	
ACCESSORIES:	Glass Plate Unit, Angle Book Holder, Manual Switch, Glass Plate Switch Kit	Angle Book Holder, Manual Switch, Glass Plate Switch Kit
THIRD PARTY SOLUTIONS:	Jamex 7110/7120 (card-type vending device); Jamex 4300 (coin-type vending device); Covergold Locator Rapide Software**	

*64-bit Windows 7 support available Spring 2010
 **Covergold Locator Rapide Software not available through Konica Minolta

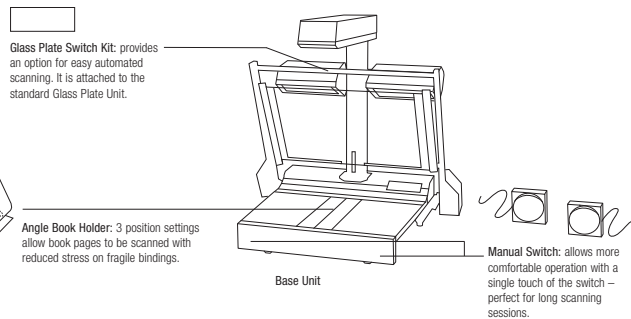
DESCRIPTION:

	ITEM NO.	DESCRIPTION	NOTES
PS7000C MKII			
BASE UNIT:	PS7000C MKII	Full Color Book Scanner	Includes Book Cradle, USB Cable, White Balance Chart, Power Cable, Twain Driver, Manual
ACCESSORIES: GLASS PLATE UNIT:	7133017701	Glass Plate	Flattens the surface of the original for a better image quality and protects the spine
ANGLE BOOK HOLDER:	7133017901	Angle Book Holder	Provides 3 settings for enhanced book spine support
MANUAL SWITCH:	7133017101	Manual Switch	Initiates the scanning with one touch
GLASS PLATE SWITCH KIT:	7133017301	Glass Plate Switch Kit	Provides an automated scan option. Requires the optional Glass Plate Unit.
PS5000C MKII			
BASE UNIT:	PS5000C MKII	Full Color Book Scanner	Includes Book Cradle, Glass Plate Unit, USB Cable, White Balance Chart, Power Cable, Twain Driver, Manual
ACCESSORIES: ANGLE BOOK HOLDER:	7133017901	Angle Book Holder	Provides 3 settings for enhanced book spine support
MANUAL SWITCH:	7119018101	Manual Switch	Initiates the scanning with one touch
GLASS PLATE SWITCH KIT:	7119018301	Glass Plate Switch Kit	Provides an automated scan option

PS7000C MKII



PS5000C MKII



KONICA MINOLTA

COUNT ON KONICA MINOLTA

KONICA MINOLTA BUSINESS SOLUTIONS U.S.A., INC.

© 2010 KONICA MINOLTA BUSINESS SOLUTIONS U.S.A., INC. All rights reserved. Reproduction in whole or in part without written permission is prohibited. Konica Minolta is a trademark of KONICA MINOLTA HOLDINGS, INC. All other brands and product names are registered trademarks or trademarks of their respective owners. Design & specifications are subject to change without notice. Konica Minolta fully encourages compliance with U.S. statutory law that prohibits the copying of certain documents under certain circumstances. For instance, copyrighted material cannot be copied unless permission from the copyright owner has been obtained or the copying falls within the "fair use" or library reproduction rights provision of the copyright law. Further information on these provisions can be obtained from the Copyright Office, Library of Congress, Washington, D.C. 20559 (request circular R21).

100 Williams Drive
 Ramsey, NJ 07446
www.CountOnKonicaMinolta.com
www.kmbs.konicaminolta.us

Item # SCANNERBRO
 1/10