



KONICA MINOLTA

With Konica Minolta, professionals can count on speed, simplicity and superior color image quality in digital book scanning. The PS5000C MKII continues our leadership tradition with a book scanning solution for originals up to 11" x 17"—a solution that's easier to use, faster in action and more flexible in operation. Face-up scanning protects fragile bindings and reduces the stress of handling documents because you can scan multiple pages by just turning each page. A supplied standard Glass Plate Unit flattens book pages for optimum scanning image quality. And with powerful Image DIVA software and built-in support for ICC profiles, Windows® 7* applications and legacy Windows environments, the PS5000C MKII fits your workflow and grows with the needs of your application.

faster, higher-quality **color** book scanning.



full color digital book scanner



PS5000C MKII

- SUPERIOR COLOR IMAGING OF BOOKS AND LARGE ORIGINALS
- IMPROVED FINE-LINE RESOLUTION AND BALANCED IMAGE DENSITY
- SCAN AREA FROM 5-1/2" X 8-1/2" TO 11" X 17" TO FIT 2-PAGE SPREADS
- FAST COLOR SCAN SPEED OF APPROX. 7 SECONDS PER PAGE
- SCAN 3-D OBJECTS UP TO 2" HIGH – COLLECTIBLES, ARTIFACTS, ETC.
- SUPPORT FOR WINDOWS 7* (32-BIT), WINDOWS VISTA®, WINDOWS 2000, WINDOWS XP
- IMAGE DIVA SOFTWARE FOR QUICK SCAN AND PRINT CONVENIENCE
- VENDING DEVICE OPTION FOR PUBLIC-ACCESS SCANNING/PRINTING
- OUTPUT RESOLUTION UP TO 600 DPI FOR HIGH-QUALITY IMAGING
- 24-BIT COLOR, 8-BIT GRAYSCALE FOR SUPERB REPRODUCTION
- SUPPORT FOR ICC PROFILES WITH ICC-COMPATIBLE SOFTWARE
- SCAN MODES: SPREAD, SINGLE LEFT, SINGLE RIGHT, SPLIT MODE
- AUTOMATICALLY CORRECTS FOR PAGE CURVATURE OF BOOKS
- MASKS FINGERS AND FRAME, ERASES CENTER SHADOWS
- HIGH-SPEED USB 2.0 INTERFACE FOR EASY CONNECTIVITY

COUNT ON KONICA MINOLTA

*64-bit Windows 7 support available Spring 2010

PS5000C MKII



full color digital book scanner

COUNT ON KONICA MINOLTA

General Specifications:

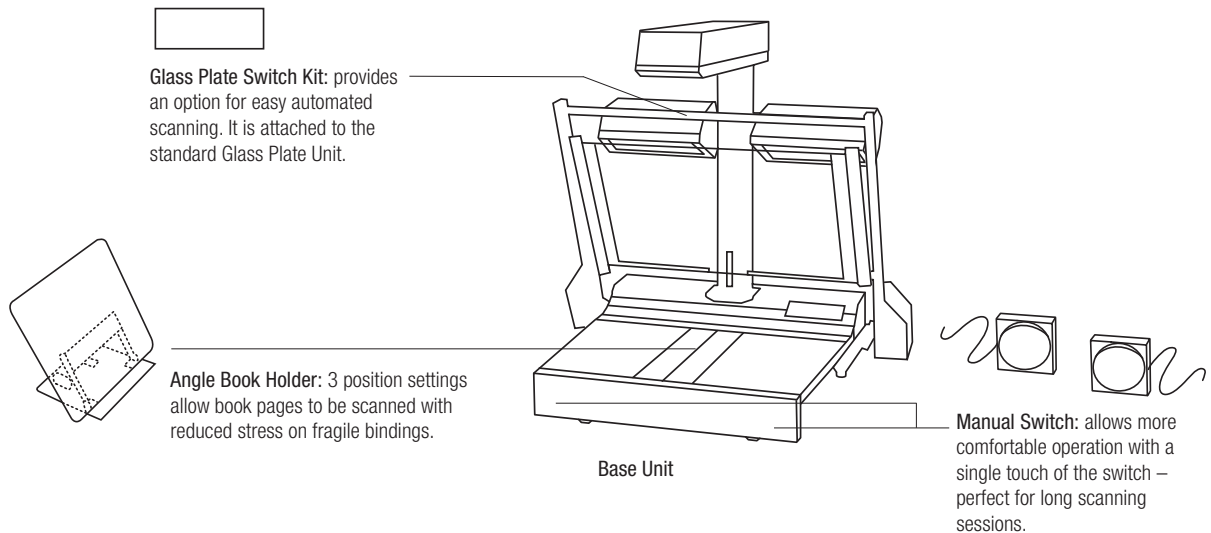
TYPE:	Desktop color book scanner for face-up originals
SCANNING SYSTEM:	Rotary lens scanning system
DOCUMENT TYPE:	Book, Sheet, 3-D object
DOCUMENT SIZE:	Maximum effective area: 11 inches x 17 inches L * Landscape: L, Portrait: P
BOOK MODE/SHEET MODE:	11"x17" L, 11"x14" L, 8.5"x14" L, 8.5"x11" L/P, 5.5"x8.5" L/P
SPREAD:	11"x17" L, 11"x14" L, 8.5"x14" L, 8.5"x11" P, 7"x11" P, 7"x8.5" P, 5.5"x8.5" P
SINGLE:	
SPLIT:	8.5"x11" Px2, 7"x11" Px2, 7"x8.5" Px2, 5.5"x8.5" Px2
3-D MODE:	Size setting is available at preview screen
DOCUMENT THICKNESS:	2 inches or less
RESOLUTIONS:	200 / 240 / 300 / 360 / 400 / 600 dpi
IMAGE SENSOR:	Area type CCD sensor (10.5 Mega pixels)
LIGHT SOURCE:	Fluorescent lamp 28" W x 2
SCAN MODE:	24-bit Color, 8-bit Grayscale, 1-bit Black and White
SCAN SPEED:	7 seconds or less (Mode: Sheet, 11"x17" L, Color, 400 dpi)
AUTO BOOK CORRECTION FUNCTION:	Curved text line correction, Text compression correction
EDITING FUNCTION:	Center erase, Frame masking, Finger masking, Centering
OPERATIONAL PANEL:	Original type, original page, original size, original mode, frame masking on /off and center erase on/off are changeable.
INTERFACE:	USB 2.0 High Speed (USB Cable: less than 6 feet)
DEVICE DRIVER:	TWAIN 32 compliant
OS COMPATIBILITY:*	32-bit Operating System Windows 2000, Windows XP, Windows Vista, Windows 7* (32-bit)
RECOMMENDED PC SYSTEM:	CPU: INTEL Core2 Duo 2.33GHz or faster MEM: 2 GB or more VIDEO: 256 MB Memory or more
DIMENSIONS:	26.5" (W) x 24.1" (D) x 32.6" (H)
WEIGHT:	Approx. 66 lbs.
POWER SOURCE:	120V 60Hz
POWER CONSUMPTION:	Less than 120W
ACCESSORIES:	Angle Book Holder, Manual Switch, Glass Plate Switch Kit
THIRD PARTY SOLUTIONS:	Jamex 7110/7120 (card-type vending device); Jamex 4300 (coin-type vending device); Covergold Locator Rapide Software**

*64-bit Windows 7 support available Spring 2010

**Covergold Locator Rapide Software not available through Konica Minolta

DESCRIPTION:

	ITEM NO.	DESCRIPTION	NOTES	
BASE UNIT:	PS5000C MKII	7119415	Full Color Book Scanner	Includes Book Cradle, Glass Plate Unit, USB Cable, White Balance Chart, Power Cable, Twain Driver, Manual
ACCESSORIES:	ANGLE BOOK HOLDER:	7133017901	Angle Book Holder	Provides 3 settings for enhanced book spine support
	MANUAL SWITCH:	7119018101	Manual Switch	Initiates the scanning with one touch
	GLASS PLATE SWITCH KIT:	7119018301	Glass Plate Switch Kit	Provides an automated scan option



KONICA MINOLTA

KONICA MINOLTA BUSINESS SOLUTIONS U.S.A., INC.

100 Williams Drive
Ramsey, NJ 07446

www.CountOnKonicaMinolta.com
www.kmbs.konicaminolta.us



COUNT ON KONICA MINOLTA

© 2010 KONICA MINOLTA BUSINESS SOLUTIONS U.S.A., INC. All rights reserved. Reproduction in whole or in part without written permission is prohibited. Konica Minolta is a trademark of KONICA MINOLTA HOLDINGS, INC. All other brands and product names are registered trademarks or trademarks of their respective owners. Design & specifications are subject to change without notice. Konica Minolta fully encourages compliance with U.S. statutory law that prohibits the copying of certain documents under certain circumstances. For instance, copyrighted material cannot be copied unless permission from the copyright owner has been obtained or the copying falls within the "fair use" or library reproduction rights provision of the copyright law. Further information on these provisions can be obtained from the Copyright Office, Library of Congress, Washington, D.C. 20559 (request circular R21).

Item #: PS5000CMKIISS

1/10